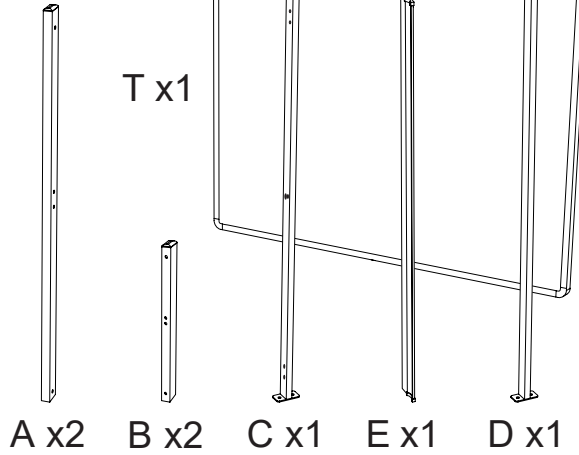


Mobile Board Instructions

03/18/15

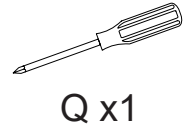
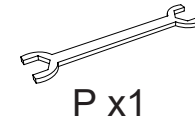


Parts List



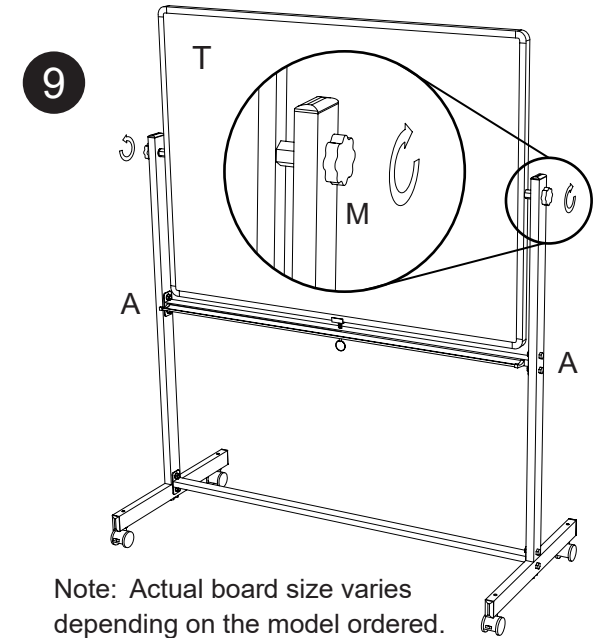
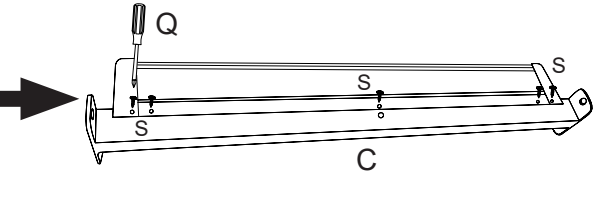
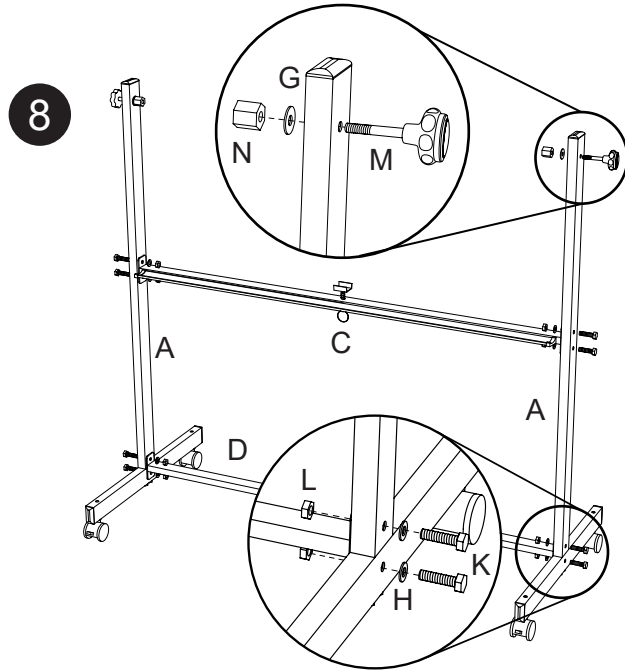
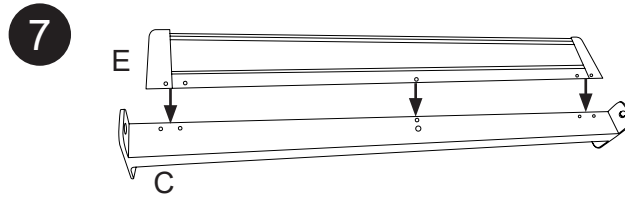
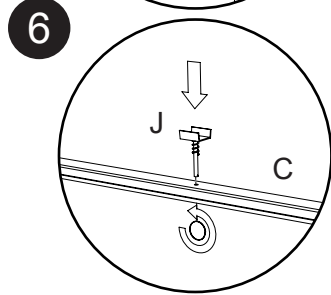
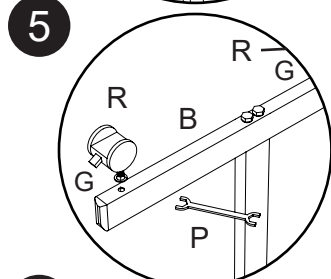
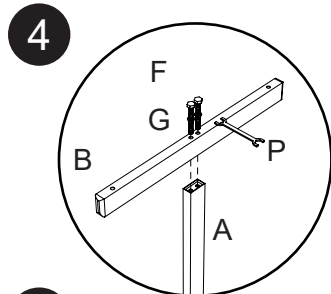
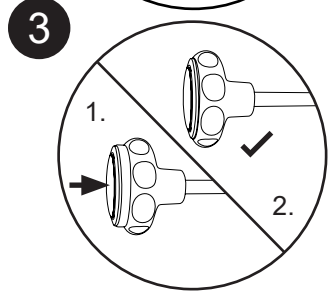
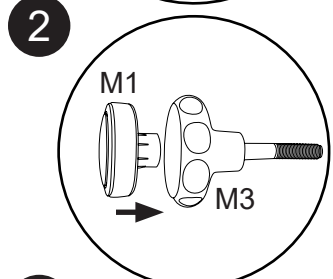
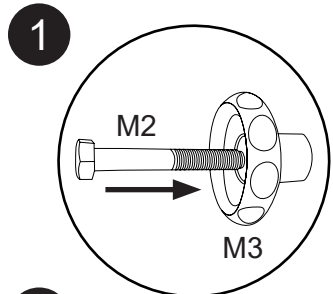
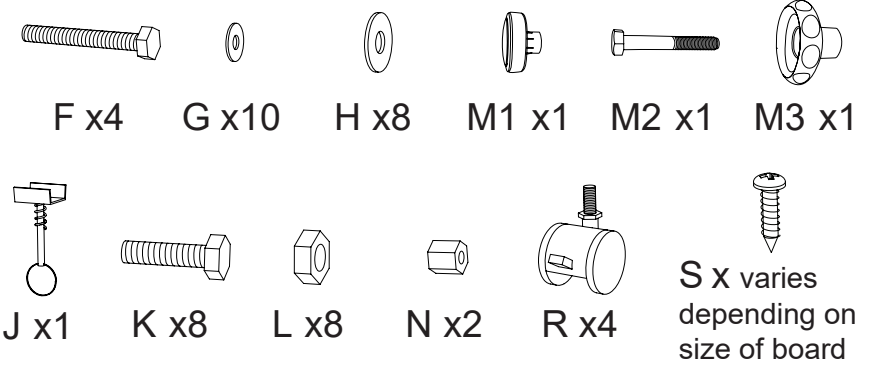
Tools Required

- Additional Wrench



Note: After assembly, peel the protective film from both sides of the board.

Cleaning Tip: A mild dish washing liquid can be used with a soft cloth to clean the writing surface.



Note: Actual board size varies depending on the model ordered.